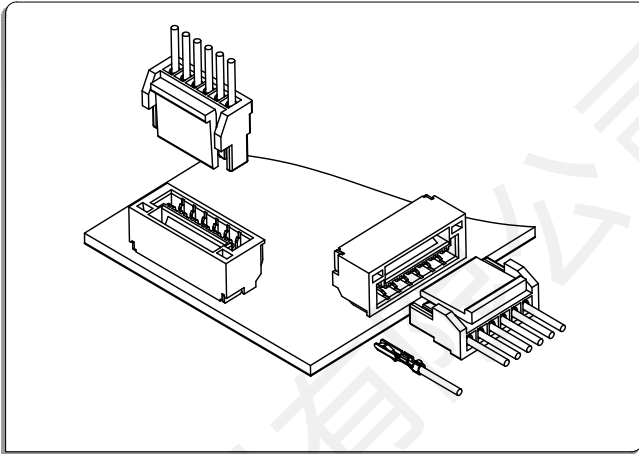


WT125H(GH) Connector 1.25mm Pitch

WTB
1.25

WT125H(GH) Connector 1.25mm Pitch

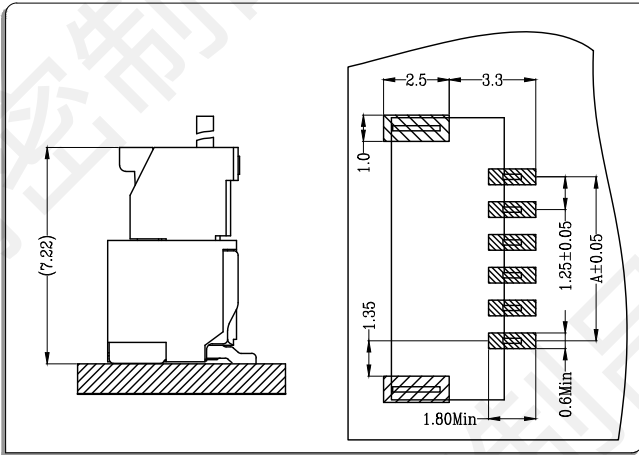


● 技术参数 SPECIFICATIONS

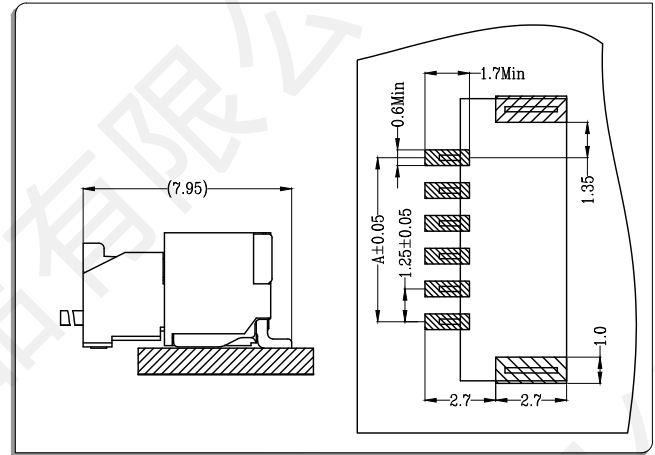
- 1、极数CKT: 2Pin to 18Pin
- 2、额定电流Current rating: 1A AC/DC
- 3、额定电压Voltage rating(max): 50V, AC/DC
- 4、工作温度Working Temperature: -25°C~+85°C, (含通电温度上升值)
(Including temperature rise in applying electrical current)
- 5、接触电阻Contact resistance: 初始Initial value $\leq 20\text{m}\Omega$
环境测试后After environmental testing $\leq 40\text{m}\Omega$
- 6、绝缘电阻Insulation resistance: $\geq 100\text{M}\Omega$
- 7、耐电压Withstand voltage: 500VAC(rms)
- 8、适用线规 Applicable wire: AWG #32 to #26
- 9、适用基板厚度Applicable PC board thickness: 1.6mm to 2.0mm

● 安装尺寸 Mounting Measurement

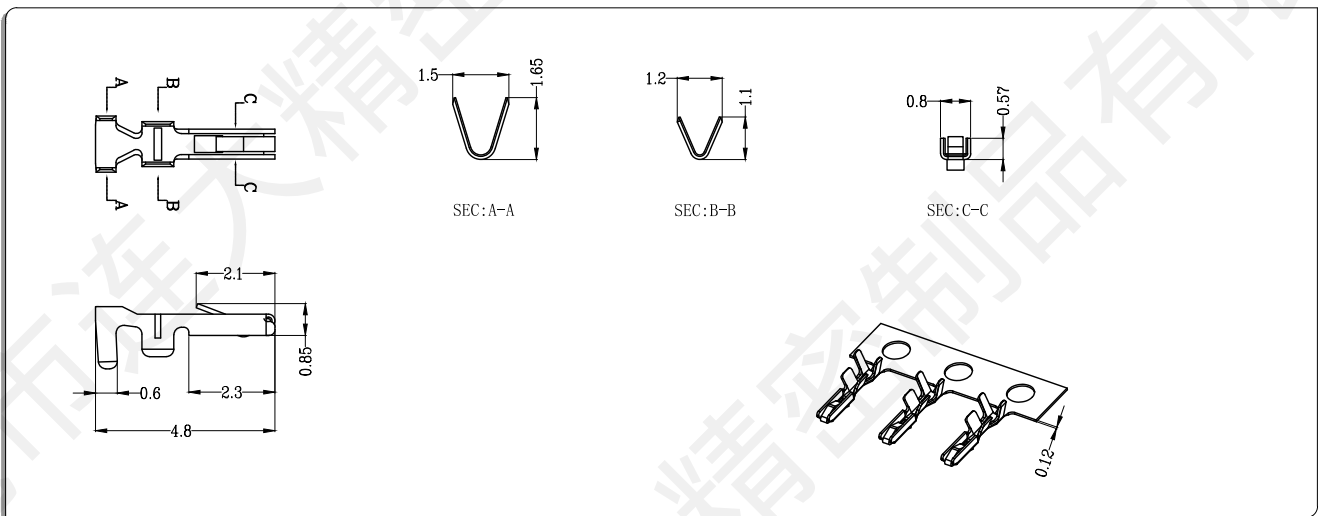
● 立式 Straight Angle



● 卧式 Right Angle



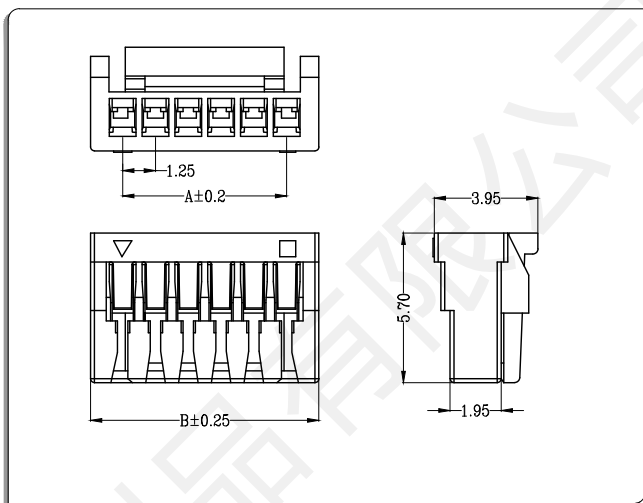
● 端子Terminal: T=0.12mm



Part No.	Wire Range	Insulation O.D	Material	Finish
WT125H0-T0	AWG#32~#26	1.0mm MAX	phosphor bronze	Tin & Gold-plated

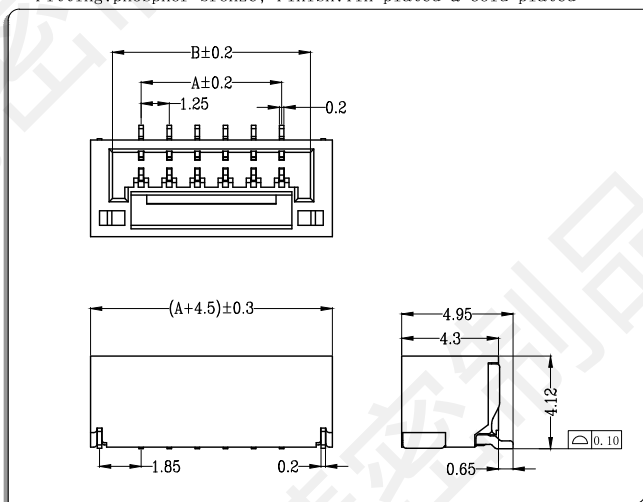
WT125H(GH) Connector 1.25mm Pitch

- 公头胶壳 Housing
- 材料Material: Nylon 66 UL94V-0



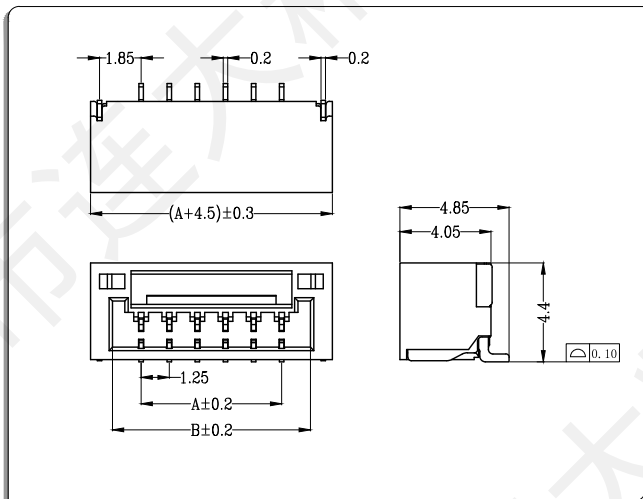
CKT	Part No	DIM A	DIM B
2	WT125H0-02	1.25	3.75
3	WT125H0-03	2.50	5.00
4	WT125H0-04	3.75	6.25
5	WT125H0-05	5.00	7.50
6	WT125H0-06	6.25	8.75
7	WT125H0-07	7.50	10.00
8	WT125H0-08	8.75	11.25
9	WT125H0-09	10.00	12.50
10	WT125H0-10	11.25	13.75
11	WT125H0-11	12.50	15.00
12	WT125H0-12	13.75	16.25
—	— — —	—	—
18	WT125H0-18	21.25	23.75

- 针座 Wafer
- 材料与表面处理 Material and Finish:
Housing:PA6T UL94V-0 & Terminal:phosphor bronze &
Fitting:phosphor bronze; Finish:Tin-plated & Gold-plated



CKT	Part No	DIM A	DIM B
2	WT125HL-02	1.25	3.80
3	WT125HL-03	2.50	5.05
4	WT125HL-04	3.75	6.30
5	WT125HL-05	5.00	7.55
6	WT125HL-06	6.25	8.80
7	WT125HL-07	7.50	10.05
8	WT125HL-08	8.75	11.30
9	WT125HL-09	10.00	12.55
10	WT125HL-10	11.25	13.80
11	WT125HL-11	12.50	15.05
12	WT125HL-12	13.75	16.30
—	— — —	—	—
16	WT125HL-16	18.75	21.30

- 材料与表面处理 Material and Finish:
Housing:PA6T UL94V-0 & Terminal:phosphor bronze &
Fitting:phosphor bronze; Finish:Tin-plated & Gold-plated



CKT	Part No	DIM A	DIM B
2	WT125HW-02	1.25	3.80
3	WT125HW-03	2.50	5.05
4	WT125HW-04	3.75	6.30
5	WT125HW-05	5.00	7.55
6	WT125HW-06	6.25	8.80
7	WT125HW-07	7.50	10.05
8	WT125HW-08	8.75	11.30
9	WT125HW-09	10.00	12.55
10	WT125HW-10	11.25	13.80
11	WT125HW-11	12.50	15.05
12	WT125HW-12	13.75	16.30
—	— — —	—	—
18	WT125HW-18	21.25	23.80

WTB
1.25

WT125H(GH) Connector 1.25mm Pitch