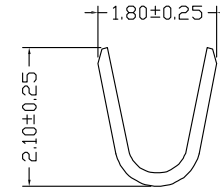
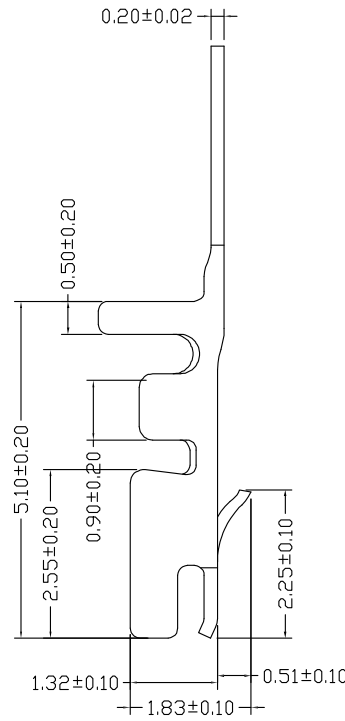
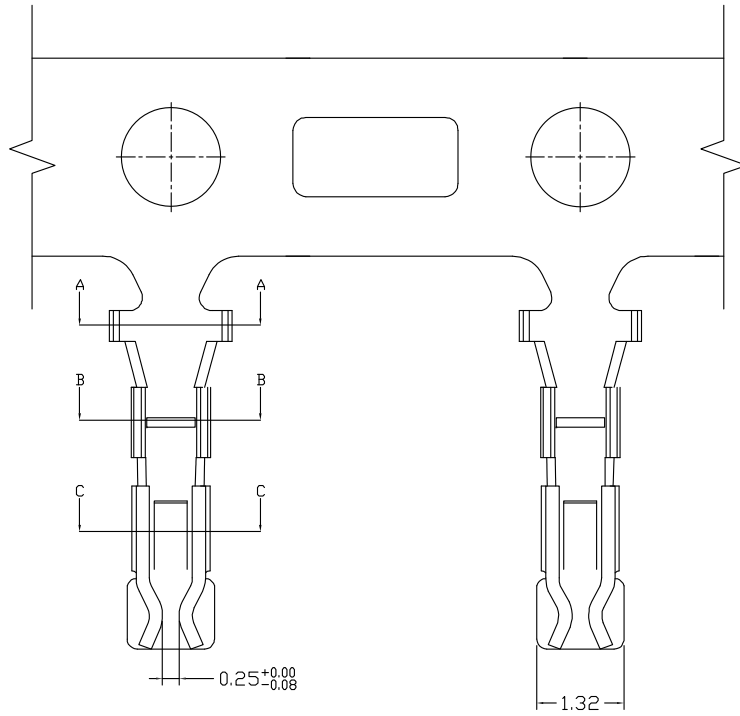
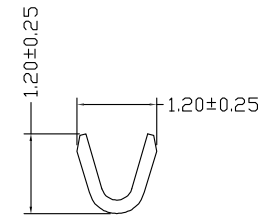


# HSF RoHS

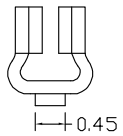
REV	ECN NO	DESCRIPTION	DATE	NAME
A	—	NEW	11/22-'19	HYJ



SECTION A-A



SECTION B-B



SECTION C-C

## Ordering Information & Specification:

Part No	Wire Range	Insulation O. D.	Material	Finish	Qty/Reel
A1801 T-PA	AWG #26~#32	1.60mm(MAX)	Phosphor bronze	Tin-plated	/

TOLERANCE UNLESS OTHERWISE SPECIFIED	
LINER	ANGLES
.0 ±0.30	0.° ±3°
.00 ±0.20	.0° ±2°
.000 ±0.10	.00° ±1°

<b>LDCONN 东莞连大精密制品有限公司</b> 连大 DongGuan LianDa Precision Products Co., LTD				
TITLE	1.8mm PITCH	DRAWN BY	HYJ	11/22-'19
PART NO.	L1801T-PA	CHECKED BY		
DRAWING NO.	—	APPROVED BY		
SCALE	1:1	UNIT	mm	PAGE 1/1 SIZE A4