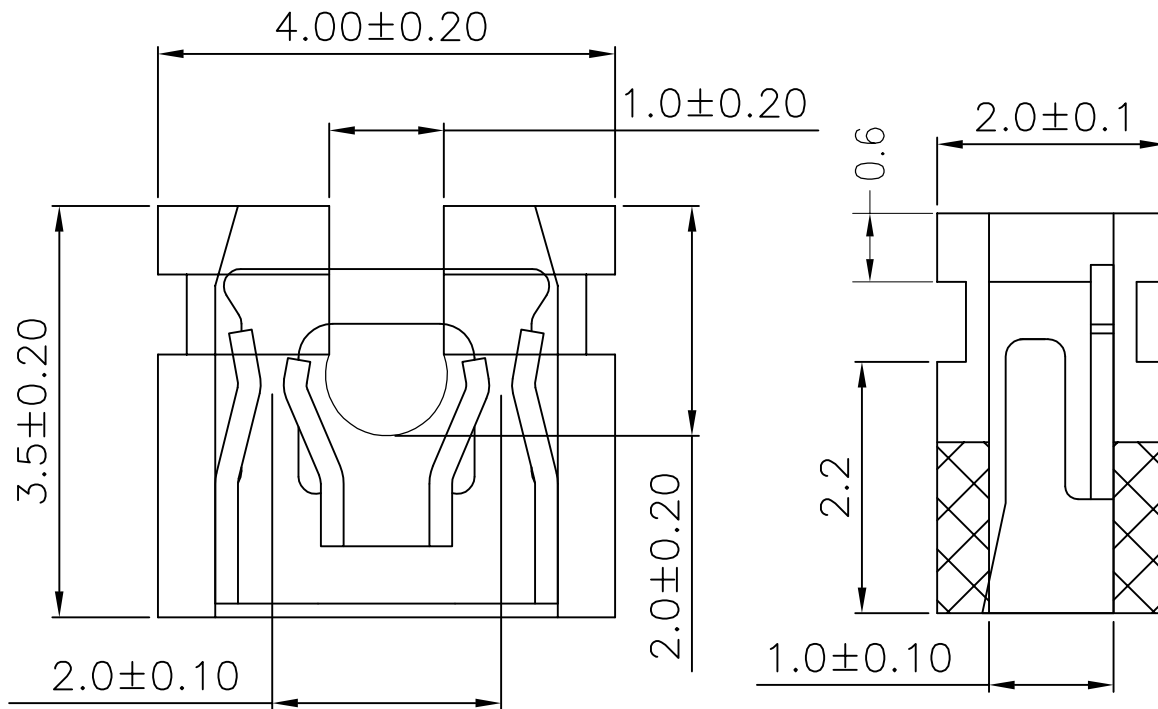


HSF RoHS

REV	ECN NO	DESCRIPTION	DATE	NAME
A		NEW		

Specifications

1. Current Rating: 2Amps
2. Insulation Resistance: 1000 mΩ min.
3. Dielectric withstanding Voltage: 500V AC/DC
4. Contact Resistance: 20 mΩ max.
5. Operating Temperature: -40°C to +105°C
6. Contact Material: Brass
7. Insulation Material: As follows, UL94V-0, Black
8. Plated: Au Over Ni



Ordering Information

L480XX - X X XX X

NO. of Pins Per Row: 02=2P
 Contact Plating:
 0=0.8" Gold
 1=Au1" Gold
 2=Au1.5" Gold
 3=Au2" Gold
 4=Au3" Gold
 5=Au5" Gold
 6=Customized
 7=Gold/Tin
 8=Tin
 A=NI
 Serial NO. 01-69
 Packing:
 A=PE Bag
 B=Tube
 C=Tray
 D=Reel

LDCONN 东莞连大精密制品有限公司
 連大 DongGuan LianDa Precision Products Co., LTD

STANDARD TOLERANCE (EXCEPT SPECIFIED)	
LINER	ANGLES
.0 ±0.30	0.° ±3°
.00 ±0.20	.0° ±2°
.000 ±0.10	.00° ±1°

TITLE	Short circuit cap PH2.0 H3.5 opening	DRAWN BY	YTT	16.02.03
PART NO	L48002-07XXA	CHECKED BY		
DRAWING NO		APPROVED BY		
SCALE	1:1	UNIT	mm	PAGE 1/1 SIZE A4