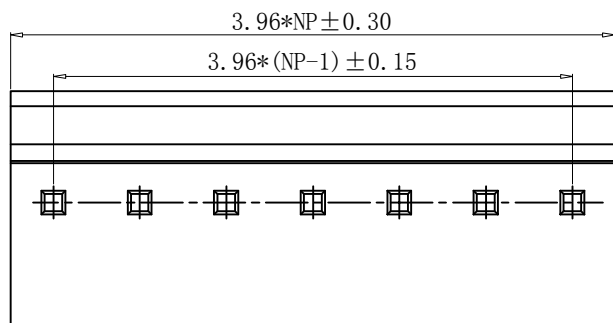


# HSF RoHS

REV	ECN NO	DESCRIPTION	DATE	NAME
A		NEW		



**Note:**

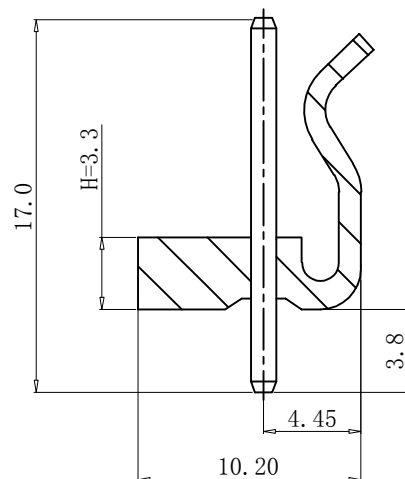
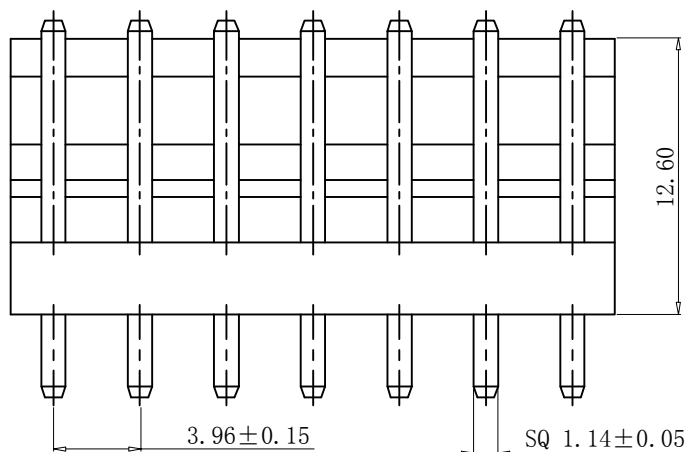
**1.Material**

- 1.1: Housing: NY66, Color:White
- 1.2: Contact: Brass,Tin.

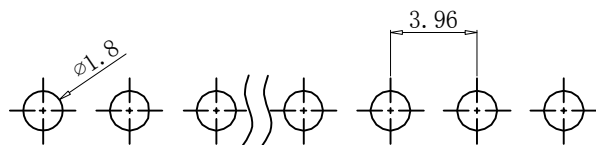
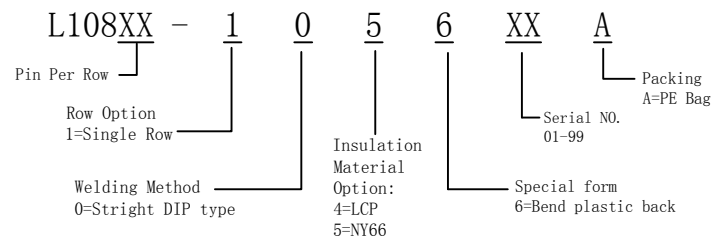
**2.Rating:**

- 2.1: Operating Voltage: 250V AC/DC.
- 2.2: Current Rating: 6A AC/DC.
- 2.3: Operating Temperature:-25°C~+85°C.
- 2.4: Contact Resistance:30 mΩ max.
- 2.5: nsulation Resistance:1000 MΩ min.
- 2.6: Dielectric withstanding Voltage: AC 1500V

**3.Pater Number:**



## Ordering Information



**PCB LAYOUT**

STANDARD TOLERANCE (EXCEPT SPECIFIED)	
LINER	ANGLES
.0 ±0.30	0.° ±3°
.00 ±0.20	.0° ±2°
.000 ±0.10	.00° ±1°

LDCONN 东莞连大精密制品有限公司 DongGuan LianDa Precision Products Co., LTD									
TITLE		PH3.96mm Wafer Single row, DIP straight type with Bend plastic back		DRAWN BY		WZG		17.03.30	
PART NO		L108XX-1056XXA		CHECKED BY					
DRAWING NO				APPROVED BY					
SCALE	1:1	UNIT	mm	PAGE	1/1	SIZE	A4		